

PRODUCT

ME-3750 Rolling Stage

ITEM

Product Sheet

CATEGORY

Major Events & Staging



The stage you can roll away while completely setup.

Need to move your stage a few feet? Or make room for another event without having to breakdown and rebuild an entire stage? Simply engage the easy-leverage casters on the ME-3750 Rolling Stage and roll it wherever you need it. Even the initial setup and final teardown of this stage is easy. Each ME-3750 unfolds to support three 4' X 8' Decks

(creating a 12' X 8' platform). Plus, it supports the end or corner of up to 12 more bridging Decks, allowing you to create exactly the size stage you need. The decks bridge front-to-back, and side-to-side, so there are fewer supports to handle, saving you valuable setup and leveling time.



→ The ME-3750 is easily setup, unfolding accordian-style on its own casters.



Set up in minutes



Sturdy, with no tools required



Unsurpassed customer service



STAGERIGHT

TOLL FREE 800.438.4499

ONLINE www.stageright.com

ME-3750 Rolling Stage

Features and Benefits

Rolling Stage

- Save time when repositioning a stage that is already setup.
- Save on labor costs by rolling the support and Decks to-and-from storage.

Fold & Roll Support

- Operate safely as the folded-up support has a low center of gravity, increasing the operator's field of vision and reducing risk of tip-over.
- Reduce time and effort during setup (the support rolls open on its own casters with no lifting).
- Eliminate time spent assembling components or using tools.
- Perform on a stable, wobble-free platform.

Storage Options

- Choose very compact storage (without Decks) or easily accessible storage (with Decks).

Decks Bridge Between Support Assemblies

- Save setup and tear-down time because you use fewer supports (Decks bridge both front-to-back and side-to-side).
- Greatly reduce leveling time because fewer elements contact the floor.
- Minimize your initial investment and storage space requirements because you use fewer supports.

Retractable Locator Assembly

- Save setup time by connecting from one to four Deck corners at a single support column (no matter what the stage configuration).
- Save setup time because the Decks automatically align and the stage sections automatically connect as the Decks fasten on the conical locator nodes.

Aluminum Columns

- Handle the lighter support system more easily than a steel system.
- Reduce maintenance costs as the tough, air-craft-alloy composition and the scratch-resistant, baked on finish resist damage.

Adjustable Screw Feet

- Compensate for uneven floors with five inches of easy, fine-adjustment leveling.
- Save maintenance costs because tough, 3/4" Acme-thread screw resists damage.

Quick-Set Height Selector

- Select stage heights in 2" increments and reference nominal heights quickly on inner legs.
- Ensure maximum security with large, 5/8" diameter height adjustment pin goes through all four legs.

Nylon Bushings

- Prolong the life of the support by eliminating metal-on-metal wear.
- Facilitate smooth, easy setup and tear-down because nylon is self-lubricating.

Technical Specifications

Function Stage shall roll while in either position. It shall be easy to set up and store. It shall provide a stable, wobble-free understructure for a wide variety of events.

Setup Stage system shall fold and unfold accordion-style without lifting, pinch points, tools or loose hardware.

Casters Leverage mechanism shall engage casters with minimal effort and without tools.

Locator Nodes Conical nodes on retractable locator assemblies shall guide one, two, three or four Deck(s) into location and proper alignment on a single support column. Without tools, clamps or separate processes, Decks shall fasten in place and stage sections shall interlock.

Bridging Alternating sections of staging (both front-to-back and side-to-side) shall be composed of Decks that suspend, or bridge, between support assemblies and shall self-align with no separate clamping or connecting processes.

Adjustable Height Height shall adjust in increments of 2" without tools. Adjustments shall be executed from a standing position by raising or lowering the support's inner column. Required lift shall not exceed five pounds.

Storage Supports can be stored two different ways. You can fold up the supports and stack the decks on top and they will store compactly in 48 square feet of space. Or you can fold up the supports without the decks to a lesser 24 square feet of space. For this last situation the decks would be stored on a separately purchased deck transport cart.

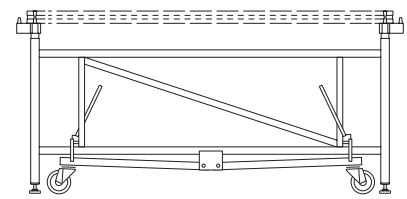
Construction Support members shall be fabricated from structural extruded aluminum tubing and from hot-rolled electric-welded steel tubing. Braces and columns shall be finished with a black baked-on powder-coated finish. Support assembly shall unfold to 8' x 12' platform size. Height shall adjust in increments of 2" without tools. A screw foot at the base of each column shall provide a 5" range of fine-adjustment leveling. System shall roll on (8) 6" x 2" phenolic swivel casters.

Options Support system available in two height ranges. Support system shall be 8' x 12' (holding three 4' x 8' Decks). Other sizes by special order.

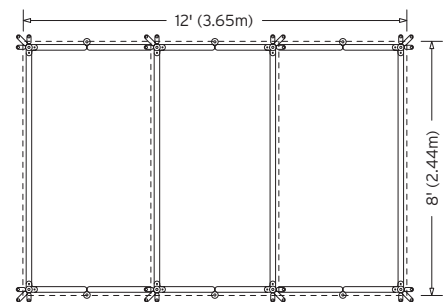
Performance Certified uniformly distributed live-load capacity of 4000 pounds per 4' x 8' section (125 pounds per square foot).

Patents #4,638,604, #4,845,915, #4,843,792

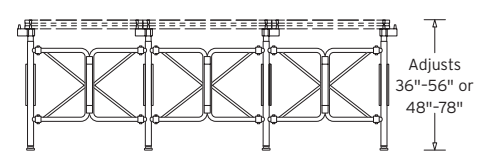
Side View



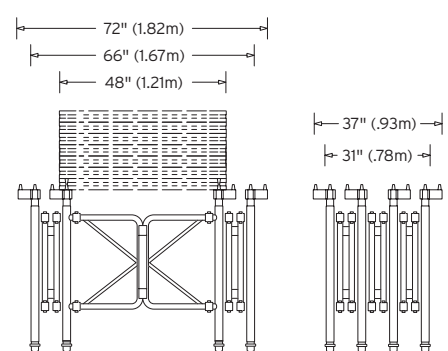
Top View



End View (Assembled Position)



End View Storage Position (shown with & without decks)



*Ordering Information

ME-3750 Rolling Stage

PARTS #	DESCRIPTION	W.T. (LB.)
319336	36"-56" adjustable height	540
319348	48"-78" adjustable height	590

*Custom sizes are available upon request